



**LAGOA**

› DOSING PUMPS

[www.pcm.eu](http://www.pcm.eu)



# PRECI-POMPE SERIES

The PCM range of dosing pumps includes mechanical diaphragm dosing pumps, plunger pumps, systems with actuated valves and complete skids of integrated dosing systems.



Lagoa LG1



Lagoa LG2 Duplex

## TECHNICAL DATA

- Maximum flow: 350 l/hr per pumphead
  - Adjustable from 10 to 100%
  - Maximum pressure: 12 bar
  - Maximum temperature: 90°C
  - Speed: 48 and 120 strokes/min
  - Precision:  $\pm 1\%$
  - Linearity:  $\pm 3\%$
- Deliverable within 2 to 6 days.

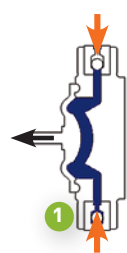
## LAGOA SERIES

The Lagoa series is designed for metering a wide variety of products in chemical engineering, environmental applications as well as the food and personal care industries.

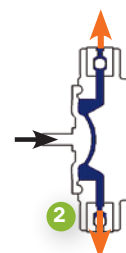
## OPERATION

The Lagoa pump is composed of a membrane connected to a piston of which the alternating movement successively fills and empties the pumphead.

- 1 The backward movement of the membrane opens the bottom check valve and allows the entry of fluid, which fills the pumphead.
- 2 The forward movement of the membrane closes the bottom check valve, opens the top check valve and expels the dose.



1 - Suction phase



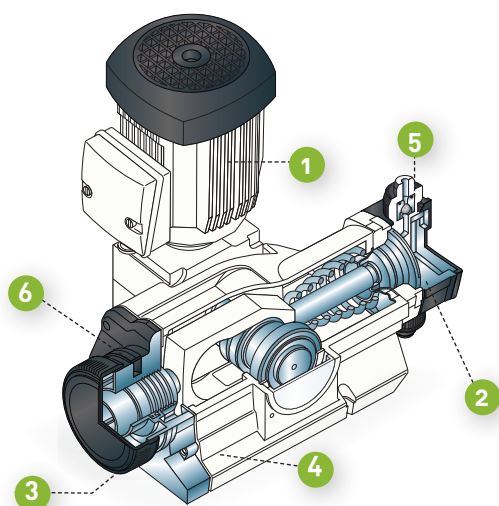
2 - Discharge phase

# LAGOA

## DIAPHRAGM DOSING PUMPS

### Applications

The Lagoa series is designed for metering a wide variety of products in chemical engineering, environmental applications as well as the food and personal care industries.



#### 1 Drive.

The pump is driven by a direct mounted light alloy motor with IP55 protection. The bearings are greased for life, making the motors maintenance-free.

#### 2 Diaphragm.

Preformed type, made of PTFE reinforced with elastomer. The liquid contact part is in chemically inert PTFE.

#### 3 Stroke adjustment.

The capacity is set by turning the micrometer dial which is fitted with vernier scale graduated in percentage stroke length. Electric servo control can be fitted<sup>(1)</sup>.

#### 4 Casing.

Robust cast aluminium alloy construction.

#### 5 Pumphead.

The pumphead is easy to remove and change. It consists of:

- 1 suction check valve
- 1 discharge check valve
- 1 liquid end body

Pumpheads are available in many material combinations.

Note: other versions are available on request.

#### 6 Locking device.

The stroke adjustment mechanism can be locked in position to ensure that stroke length remains at its set point.

### ACCESSORIES AND OPTIONS

- Foot valves
- Injection rod
- Safety and retention valves
- Pulsation dampers
- « Ready-to-meter » assemblies
- Dosunits<sup>(1)</sup>

<sup>(1)</sup> Please contact us

### ADVANTAGES

Design:

- Simple and robust construction
- Reliability of metering
- Adaptable: meters a wide range of fluids
- Simplified maintenance
- Dry running

Electro-mechanical drive:

- Reduced mechanical and hydraulic shocks
- Silent



Pump on filtering pallet (wine production).



Metering of soda and acid.



Ferric chloride pumping in purification station.



## INDUSTRIES AND APPLICATIONS



### › ENVIRONMENT

Chemicals agents, lime milk, polymer, Ferric chloride, Aluminum chloride, PAC, WAC, Nutrient, Scum, Foam, Acids, Alkalines.



### › MECHANICAL ENGINEERING

Oil water mixtures, laminoire wastes, cutting oil, engine lubricants, engine lubricant wastes, waste oil, spent baths, lead paste, washcoat, slop, colloidal silica, water-glycol deicing, glycol, resin, hardener.



### › CHEMICALS

Glues, paints, varnishes, polymer, flue gas desulphurization, fiber production, colloidal silica, latex, pigment slurry, plasticizers, emulsion, zeolite, binder, sizing.



### › NEW ENERGIES

Oil, biodiesel, musts, vinasses, coal water mixtures, glycerin & methanol, soapstock, liquid manure, waste ion-exchange resin, dispersant, stabilizer, slurry from flue gas desulfurization (FGD).



### › MINERALS

Mineral slurries, explosive preparation, polymer, pulp, grouts, mortars, refuse derived fuels, chrome VI reduction, coloring agent, sludge.



### › FOOD

Sugars & Starches (Transfer of sugar, glucose, honey, pulp, syrup, molasses, thick juices, liquor, flocculent, starch, starch milk, gluten).



### › PAPER

Mineral slurries (kaolin, talc, bentonite, calcium carbonate, titanium dioxide), binders (starch, casein, AKD, PVA, CMC, latex), additives (retention agents, dispersants, optical brighteners), coating color, polymer.